

# Office Kitchen & Toilets

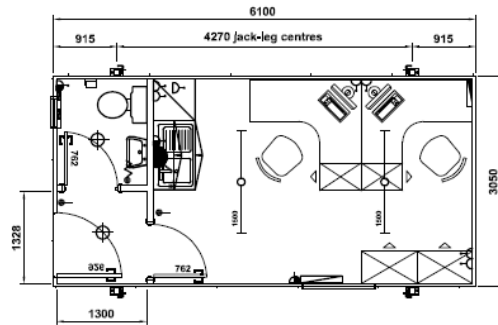


Donnelly Cabins Ltd  
 Unit 10, Tidal Ind. Est.  
 Rogery Road  
 Toome, BT41 3TG  
[www.donnelycabins.com](http://www.donnelycabins.com)

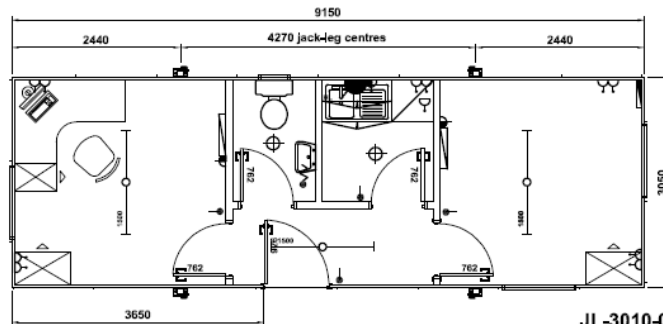
Phone: 028 7965 9660  
 Fax: 028 7965 9511  
 E-Mail:

[enquiries@donnelycabins.com](mailto:enquiries@donnelycabins.com)

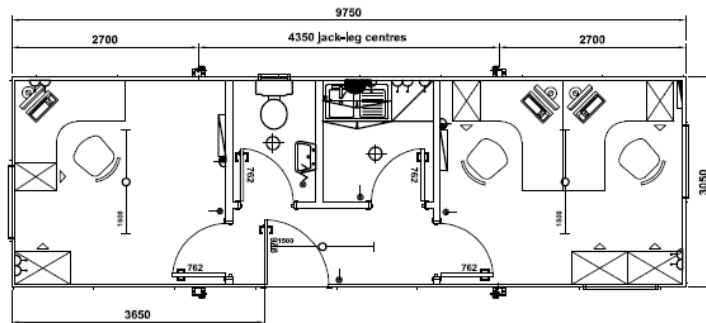
**JACK-LEG**



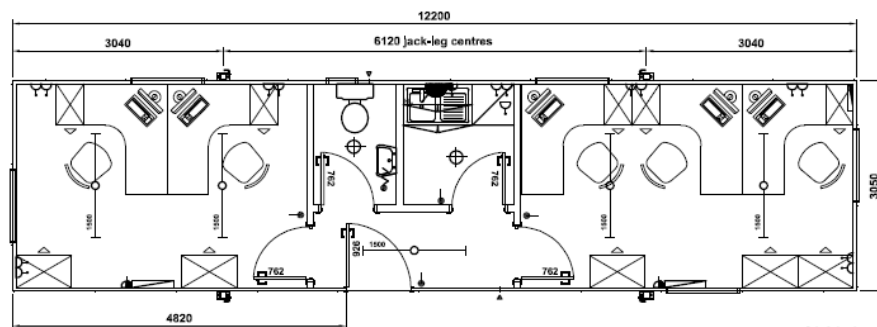
**JL-2010-05**  
 20' x 10'  
 6.10m x 3.05m



**JL-3010-05**  
 30' x 10'  
 9.15m x 3.05m



**JL-3210-05**  
 32' x 10'  
 9.75m x 3.05m



**JL-4010-05**  
 40' x 10'  
 12.2m x 3.05m

\*Furniture is for illustration only